

NFPA 80-2010

Standard for Fire Doors and Other Opening Protectives

TIA Log No. 1001

Reference: 4.7.5.1.1, 4.7.5.1.2, and A.4.7.5.1

Comment Closing Date: October 13, 2010

Submitter: Joseph R. Hetzel, Thomas Associates, Inc.

1. Add new text to read as follows:

4.7.5.1.1 Where fusible links are installed on both sides of the wall, a sleeve shall be installed through the wall to provide an open pathway for the cable/chain connecting the fusible links.

4.7.5.1.2 The sleeve shall be a 1/2-in. (13-mm) diameter galvanized steel conduit or pipe, with ends de-burred, and fitted with a collar or bushing at each end to secure the sleeve around the wall and allow free movement of the cable/chain through the sleeve upon fusing of the links.

A.4.7.5.1 Wall sleeves required for the installation of fire door fusible links on both sides of a wall are unlike many other wall penetrations for pipes, conduits, ducts and the like. Such sleeves must remain open and unobstructed for free movement of the fusible link cable/chain upon fusing of the links. Firestopping or other sealants should not be used on sleeves because they can encumber movement and prevent automatic closing of a fire door in a fire event.

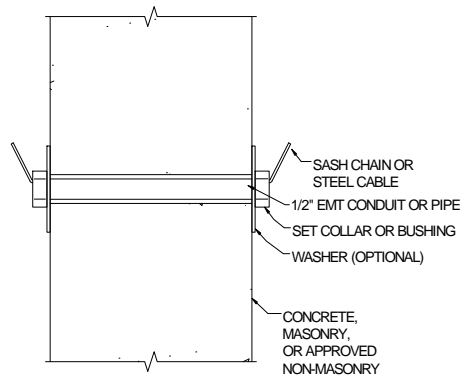


Figure A.4.7.5.1 Sleeve Installation for Fusible Links on Both Sides of Wall.

Submitter’s Substantiation: Rolling steel fire door manufacturers have become aware of an increasing trend towards more frequent and recurring questions from AHJ’s regarding the correct installation of wall sleeves for through-wall fusible links. Sleeves are referred to, but the method of installing such wall sleeves is inadequately documented in NFPA 80. AHJ’s are reluctant to accept manufacturers' installation instructions, even though such instructions are referenced throughout NFPA 80. This matter is also outside the scope of listing agencies, as they regulate the manufacturing – but not the installation – of fire door products.

Emergency Nature: The incorrect installation of a sleeve, or the misguided attempt to seal it, can create the potential for a life threatening condition resulting from a fire door being prevented from automatically closing.

Anyone may submit a comment by the closing date indicated above. To submit a comment (on company letterhead), please identify the number of the TIA and forward to the [Secretary, Standards Council, 1 Batterymarch Park, Quincy, MA 02169-7471](#).